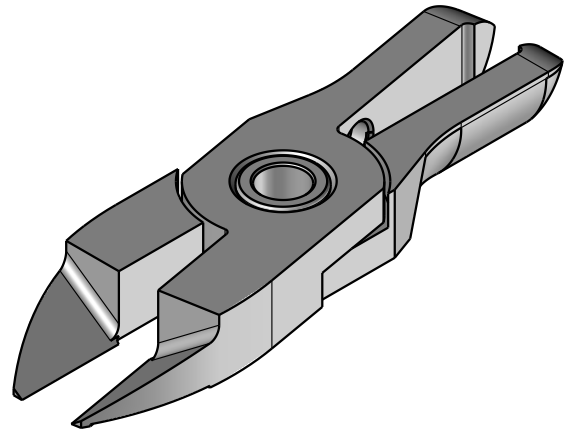
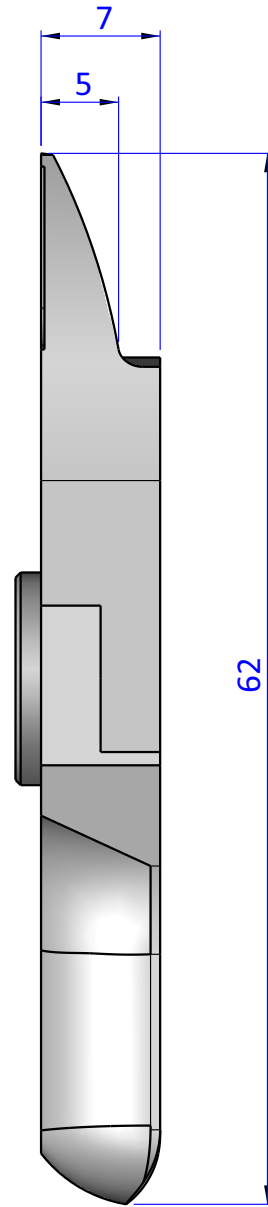
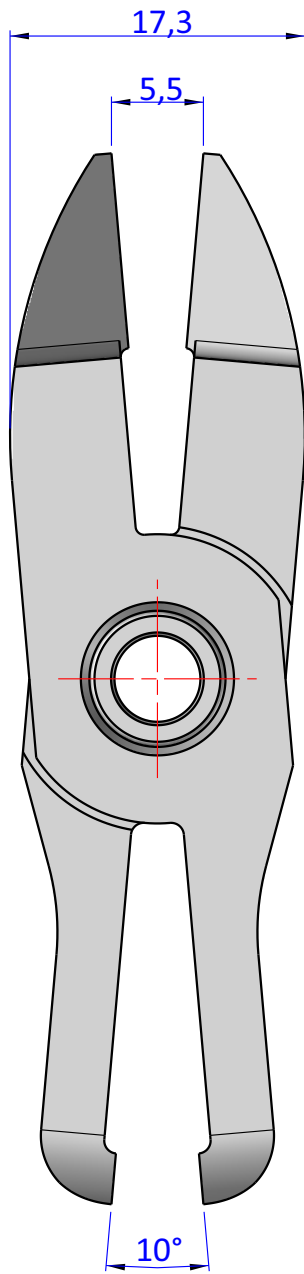


THE PROPERTY OF THE DRAWING IS ESTABLISHED BY LAW. IT IS FORBIDDEN TO PRODUCE OR SHOW IT TO THIRD PART, WITHOUT A WRITTEN AGREEMENT.



DESIGNED FROM		REVIEW
FPS Automation		A
DATE	WEIGHT	
27/10/2020	0,029kg	
CODE		
VES.NY05AJL		

Format A4

UNI 936-76

GENERAL TOLERANCE

UNI - ISO 2768

CLASSE f

DESCRIPTION

VES.NY05AJL